

Instant EtherFast® Series

EtherFast® 10/100 Autosensing Workgroup Switch



Use This User Guide To Install These Linksys Products

- EtherFast® 10/100 5-Port Workgroup Switch (EZXS55W)
- EtherFast® 10/100 8-Port Workgroup Switch (EZXS88W)

User Guide

 **LINKSYS®**

COPYRIGHT & TRADEMARKS

Copyright © 2000 Linksys, All rights reserved. Microsoft, Windows, and the Windows logo are registered trademarks of Microsoft Corporation. All other trademarks and brand names are the property of their respective proprietors.

LIMITED WARRANTY

Linksys guarantees that every EtherFast 10/100 Autosensing 5-Port and 8-Port Workgroup Switch is free from physical defects in material and workmanship under normal use for five (5) years from the date of purchase. If the product proves defective during this five year warranty period, call Linksys Customer Support in order to obtain a Return Authorization number. Warranty is for repair or replacement only. Linksys does not issue any refunds. BE SURE TO HAVE YOUR PROOF OF PURCHASE AND BAR CODE ON HAND WHEN CALLING. RETURN REQUESTS CANNOT BE PROCESSED WITHOUT PROOF OF PURCHASE AND BAR CODE. When returning a product, mark the Return Authorization number clearly on the outside of the package and include your original proof of purchase and bar code.

IN NO EVENT SHALL LINKSYS' LIABILITY EXCEED THE PRICE PAID FOR THE PRODUCT FROM DIRECT, INDIRECT, SPECIAL, INCIDENTAL OR CONSEQUENTIAL DAMAGES RESULTING FROM THE USE OF THE PRODUCT, ITS ACCOMPANYING SOFTWARE OR ITS DOCUMENTATION. Linksys makes no warranty or representation, expressed, implied, or statutory, with respect to its products or the contents or use of this documentation and all accompanying software, and specifically disclaims its quality, performance, merchantability, or fitness for any particular purpose. Linksys reserves the right to revise or update its products, software, or documentation without obligation to notify any individual or entity. Please direct all inquiries to:

Linksys P.O. Box 18558, Irvine, CA 92623.

FCC STATEMENT

This equipment has been tested and found to comply with the limits for a 5 Port Class B digital device and an 8 Port Class A digital device, pursuant to Part 15 of the FCC Rules. These limits are designed to provide reasonable protection against harmful interference in a residential installation. This equipment generates, uses and can radiate radio frequency energy. If not installed and used according to the instructions, it may cause harmful interference to radio communications. However, there is no guarantee that interference will not occur in a particular installation. If this equipment does cause harmful interference to radio or television reception, which is found by turning the equipment off and on, the user is encouraged to try to correct the interference by one or more of the following measures:

- Reorient or relocate the receiving antenna
- Increase the separation between the equipment or device
- Connect the equipment to an outlet other than the receiver's
- Consult a dealer or an experienced radio/TV technician for assistance

Contents

Introduction	1
Your EtherFast 10/100 Autosensing Workgroup Switch	1
Hardware Installation	2
Planning Your Network Layout	2
Installing Your Switch	4
Tips on Switching Your Network	6
About Fast Ethernet	7
History of Fast Ethernet	7
Switches versus Hubs	8
Types of Ethernet Cabling	10
Appendix	12
Specifications	12
Environmental Specifications	12
Customer Support	13

Introduction

Your EtherFast 10/100 Autosensing Workgroup Switch

Congratulations on purchasing your new Linksys EtherFast 10/100 Autosensing Workgroup Switch for your network's 10/100 migration needs. Available in 5 and 8 Port models, the EtherFast 10/100 Switch is the easiest, most versatile way to boost your network's performance while migrating to the speed and power of Fast Ethernet. Unlike hubs that ration your network bandwidth and may slow down with high data traffic, your Linksys Switch fuels each of your computers with full duplex transfer mode on top of dedicated bandwidth to unleash your network speed.

In migrating your network to Fast Ethernet's 100Mbps speed, your new Linksys 10/100 Switch is ready to go to work for you immediately. Apply this switching power to your 10BaseT network, and your data traffic efficiency improves several times over. Connect your file server to the Switch's autosensing ports, and speed up access time for all your users in just one move. And when you're ready, switch your way to full duplex speeds of up to 200Mbps – the speed is yours!

Every Switch packs a complete suite of advanced data error detection and correction features for surefire communication every time. Auto partitioning, data collision control, preamble regeneration and incoming frame retiming ensure that not a single bit is lost during even the heaviest moments of network traffic. Built to last, your new EtherFast 10/100 Switch delivers optimal high-end video, gaming, multimedia, database, and other speed-intensive applications at blazing speeds.

- **EtherFast 10/100 5-Port Workgroup Switch (EZXS55W)**
- **EtherFast 10/100 8-Port Workgroup Switch (EZXS88W)**

Hardware Installation

Planning Your Network Layout

Building a Fast Ethernet network involves more topology rules in addition to the 10BaseT network rules. These rules specify distance limitations and cabling specifications. Data loss, collisions, and other network problems causing down time are likely to occur if the rules below are not followed.

- Use Category 5 UTP (EIA 568, Cat 5) ethernet cabling with four pairs of wires and RJ-45 tips for all Fast Ethernet connections.
- Use the chart below to position your switches, hubs and workstations.

From	To	Maximum Distance
Switch	Switch or Hub*	100 meters (328 feet)
Hub*	Hub*	5 meters (16.4 feet)
Switch or Hub	Workstation	100 meters (328 feet)

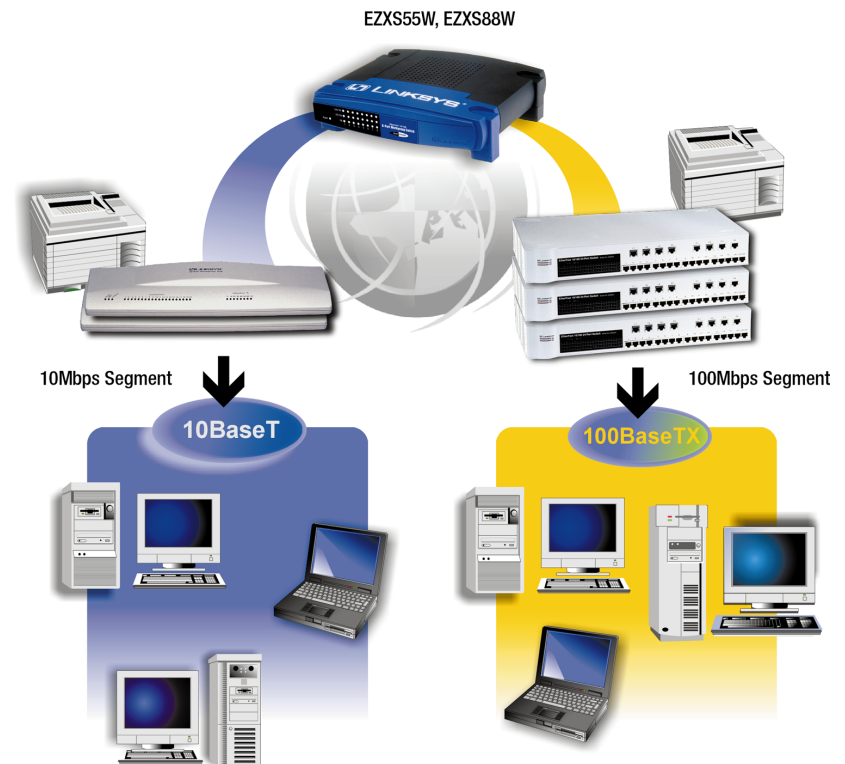
*Hub refers to any type of 100Mbps hub, including regular hubs and stackable hubs. A 10Mbps hub connected to another 10Mbps hub can span up to 100 meters (328 feet).

- No more than two hubs should be uplinked in a row in a Fast Ethernet network. A set of stacked hubs, which must be stacked with a stacking cable, counts as one hub or node on the network.
- In Fast Ethernet networks, your 10/100 Switch acts as a repeater, regenerating data signals before passing them on to the next device. Hubs do not function as repeaters.

Configuration A shows one possible way to set up an EtherFast Switch in a Fast Ethernet environment. Note that the Switch requires Category 5 UTP network cabling for all its connections, like all Fast Ethernet network hardware.

All of the workstations below can access all resources on the network - 10Mbps users can access the 100Mbps nodes, and vice versa. While allowing the 10Mbps and 100Mbps segments to communicate, the Switch optimizes data traffic by switching the data packets to their destination through the quickest route possible, which improves performance up to 80% even on the faster 100Mbps network segment.

Configuration A



Installing Your Switch

Package Contents

Carefully remove your EtherFast 10/100 Workgroup Switch from its packaging. Make sure that you have received all of the items listed below. If any items are missing or damaged, contact your Linksys dealer for replacement part(s).

- EtherFast 10/100 Autosensing Workgroup Switch
- AC Power Cable
- User Guide and Registration Card

Connecting Computers to Your Switch

Your Switch's rear panel has five or eight standard RJ-45 ports, plus a shared uplink port. Each port automatically detects the speed and duplex of the attached cabling to a network card, switch, hub, etc. The ports operate in either full or half duplex, which lets you run at speeds of 200mbps, 100mbps, 20mbps or 10mbps.

Each port on your Switch can connect to workstations, file servers, hubs, repeaters, bridges, routers or other switches. Connections to the switch require **Category 5 UTP network cabling** with RJ-45 tips, not to exceed 100 meters (328 feet) in length. See page 10 for more details on cabling.

To connect a computer directly to the switch, plug one end of the cable into the switch, then plug the other end of the cable into the computer's network adapter.

Uplinking to Other Switches and Hubs

Switches, hubs, and similar network devices are **uplinked** to your Switch with straight-through Category 5 cabling. Attach the Category 5 cabling to the uplink port of the network device that you are uplinking to the Switch, and plug the other end of the cable into any standard RJ-45 port on your Switch. Using the uplink port will automatically disable the port directly next to it, since the uplink port is a shared port.

Powering On the Switch

Plug in the Switch's AC power adapter. Each time your Switch powers up, it will run a Diagnostic/Self-Test. After the test, the Power LED will light up. As connections to the Switch's LEDs are powered on, each port's corresponding Link/Act LED will light up. The remaining LEDs will also light up according to how your data is being transferred, e.g. full or half duplex, 10mbps or 100mbps.

If the Switch experiences excessive data collisions, verify that your network cabling is securely crimped and installed properly.

Reading the Front Panel LEDs

The chart below tells you what the front panel LEDs of the 5 and 8 Port Switches mean. Each Switch has a Power LED on the left side to indicate when the unit is ON.



Front Panel - Etherfast 10/100 Autosensing Workgroup Switch

LED Configuration Chart		
LED	LED Status	Network Status
Link/Act	On	Connection is detected
	Flickering	Data is sending/receiving
FD/Col	On	Full duplex transfer mode
	Flickering	Port has data collision error
	Off	Half duplex transfer mode
100	On	100 mbps speed
	Off	10 mbps speed

Tips on Switching Your Network

Here are some of the ways your new EtherFast 10/100 Switch can help you optimize your network speed.

- Speed up Nodes From Your 10BaseT Network

In a 10BaseT network, connect your hubs, file servers and key users such as managers and network administrators directly to your Switch to channel dedicated bandwidth in full duplex mode to each station. The Switch can communicate with all its connections simultaneously, whereas a hub can only communicate with one workstation at a time, in half duplex transfer mode.

- Conserving Bandwidth with 10Mbps & 100Mbps Segments

10BaseT and 100BaseTX hardware are not readily compatible, but your 10/100 Switch can designate network segments of different speeds. This allows you to run one 10mbps segment to serve users without a need for considerable speed, and a faster 100mbps segment devoted to users who depend heavily on graphics, multimedia, database, or other speed-intensive applications. With switched segmentation, your 100mbps users will not be slowed down by the users on the 10mbps segment.

- Run 10Mbps Peripherals in Your Fast Ethernet Network

Most of the network peripherals in place today run at 10mbps, since 10BaseT has been the standard network speed to date. These peripherals, designed to operate at 10mbps, cannot readily communicate with 100BaseTX equipment. A 10mbps interface is also required for cable and DSL connections, which are quickly becoming very popular ways to access the Internet. Your 10/100 Switch provides your 10BaseT equipment and cable and DSL lines with a 10Mbps interface while still running your Fast Ethernet devices at 100mbps.

- Strengthen Data Transfers Through Signal Regeneration

Your Switch functions as a repeater, which regenerates data signals as they pass through it. This feature acts as a safeguard to deter data loss and ensure that transmissions arrive at their destination intact. Switches positioned between hubs can preserve your data's integrity and eliminate your need to buy and use repeaters in your Fast Ethernet network.

About Fast Ethernet

History of Fast Ethernet

Standard **Ethernet** has been the most popular networking technology during this past decade, with a maximum data throughput of **10Mbps**. But the Ethernet standard has fallen out of favor as today's massive graphics, multimedia, and other data-intensive applications have magnified the problem of lagging network performance.

Fast Ethernet now dominates as the most viable and economical solution to resolve the problem of network speed over all other market alternatives. Capable of sending and receiving data at **100 Mbps**, its bandwidth more than accommodates even the most intensive real-time applications.

Also known as **100BaseTX**, Fast Ethernet supports high speed signaling and gives users an efficient and affordable solution for upgrading their present network to the upcoming standard speed of 100Mbps. 100BaseTX data packet lengths and formats are transmitted over two pairs of Category 5 UTP cabling, just like the 10BaseT system. It uses identical data error control and management information as 10BaseT transmissions as well.

Because Fast Ethernet is based on similar technology to standard Ethernet, the issue of migrating from 10Mbps to the higher Fast Ethernet speed requires virtually no effort with the right piece of equipment. All it takes is your EtherFast Autosensing Switch to coordinate your network hardware, and you're ready to run a top-notch system.

Switches versus Hubs

Your EtherFast 10/100 Switch boosts your network performance several times over, conserving your time, money and resources. The scalability of your Switch, its full duplex data transfer and dedicated bandwidth all contribute to maximizing efficiency in your Fast Ethernet network.

Your EtherFast 10/100 Switch's **autosensing** feature gives you a key advantage over other forms of networking by upgrading speed-critical network segments to 100mbps while allowing existing 10BaseT networks to operate with the Switch. Allowing 10BaseT and 100BaseTX hardware speeds to run alongside each other eliminates the need to purchase new hardware, rewire and reconfigure an entire site all at once. This **scalability** factor ensures that Fast Ethernet will not fall obsolete to upgrades in speed standards and maintains use of all your old equipment until you decide to buy speedier replacements. Otherwise, throwing away all your older, slower equipment in an old-fashioned “forklift upgrade” is the only other alternative.

Scalability allows you to budget for your networking needs over time. Now networks can custom-run fast and slow segments at the same time for different users and departments. Publishing, R&D, and accounting departments can enjoy 100mbps transfer, while other corporate segments conserve bandwidth by operating at slower, more economical 10mbps speeds.

Switches also feature **full duplex data transfer**, meaning that all computers on the switch can “talk” to the switch at the same time. Plus, switches can send and receive data simultaneously to all connections, whereas a hub cannot. A hub simply works with one computer at a time and only sends or receives data, since it cannot handle two way communication.

In addition to full duplex transfer, your 10/100 Switch surges your network with **dedicated bandwidth** to each node, devoting 100mbps to every device and multiplying your bandwidth for each added node. For instance, if you connect five computers to your EtherFast 10/100 Switch, then each computer will get a dedicated bandwidth of 100Mbps at full duplex transfer. If you run 5 computers from a 100mbps hub, then each computer would only share a part of the 100mbps bandwidth.

A network without a switch is called a **shared network** because every node on the network competes for a fraction of the total bandwidth. In a shared network, data packets are randomly broadcasted to all stations until they discover their intended destination. Consequently, considerable time and bandwidth is wasted on data packets swimming along network lines before they find their correct address. A switch, on the other hand, features a **store-and-forward function** which retains the address for each data packet and shoots them straight to the correct destination.

Types of Ethernet Cabling

Twisted-pair cabling comes in various grades, or categories. Category 5 is required for Fast Ethernet, and is also the most reliable and most commonly used type of cabling.

You can buy **Category 5 UTP (Unshielded Twisted Pair) cabling** in pre-terminated lengths, or you can crimp your own. Crimping your own cabling can result in faulty connections if the RJ-45 tips are not secured properly. Preterminated Category 5 ethernet cabling is available at most computer retail stores.

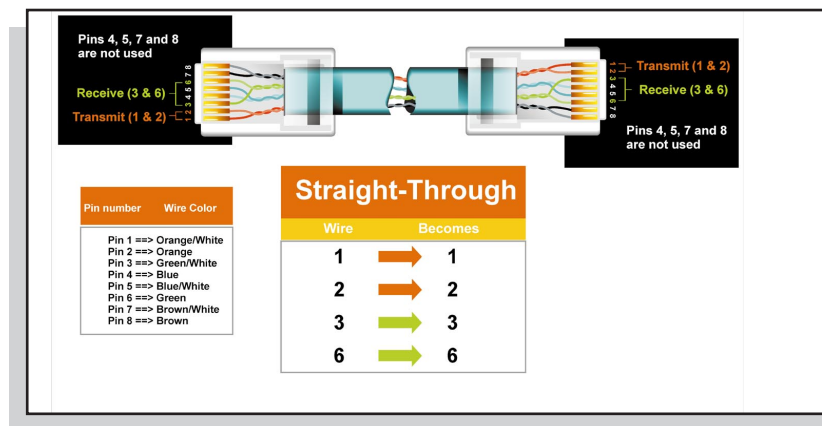
The most common type of Category 5 cabling used is UTP, or “unshielded twisted pair.” STP, or “shielded twisted pair,” wiring is only necessary for network environments exposed to excessive amounts of electromagnetic interference, or EMI. These environments include areas with high sources of electrical power, air conditioning, generators, and radio signals. STP cabling is also used for wiring outdoors.

In a **straight-through cable**, wires 1, 2, 3 and 6 at one end of the cable are still wires 1, 2, 3, and 6 at the other end. In a **crossover cable**, the pairs are reversed so that wire 1 becomes 3 at the other end of the cable, 2 becomes 6, and so forth.

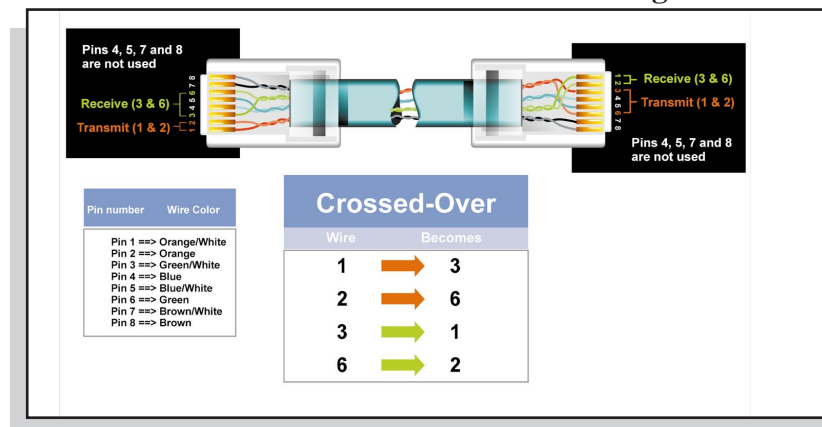
In building your Fast Ethernet network, it is highly recommended to use only straight through cabling. Use crossed over cabling as a last resort when there are no uplink ports available.

To determine which wire is wire 1, hold the RJ-45 connector with the spring clip facing towards the ground and the copper connectors pointing away from you, with the wires exposed upwards to your view. The first wire on the far left is wire 1. You can also refer to the illustrations and charts of the internal wiring on page 11.

Straight-Through Twisted Pair Wiring



Crossed-Over Twisted Pair Wiring



Appendix

Specifications

Model Numbers	EZXS55W EZXS88W
Standards	IEEE 802.3 (10BaseT), IEEE 802.3u (100BaseTX)
Protocol	CSMA/CD
Ports	5 or 8 10BaseT/100BaseTX RJ-45 Ports, plus One Shared RJ-45 Uplink Port
Speed Per Port (Mbps)	10 or 100 (Half Duplex) 20 or 200 (Full Duplex)
MAC Addresses	1024 Unicast Table Entries Unlimited Multicast Broadcast Entries
Max Frame Size	1536 Bytes
Buffer Memory	1MB
Cabling Type	Category 5 UTP or Better
LED Display	Power, Link/Act, FD/Col, 100 (per Port)

Environmental Specifications

Dimensions	7.5" x 6.1" x 1.75"
Unit Weight	12 oz.
Power Input	3.3VDC, 3 Amps
Power Consumption	10 watts
Certifications	FCC Class B (5 Port Model), FCC Class A (8 Port Model), CE Mark Commercial, UL and CSA Listed
Operating Temp	32°F to 131°F (0°C to 55°C)
Storage Temp	-40°F to 158°F (-40°C to 70°C)
Operating Humidity	10% to 85% Non-Condensing
Storage Humidity	5% to 90% Non-Condensing

Customer Support

For help with the installation or operation of your EtherFast 10/100 Autosensing Switch, contact Linksys Customer Support at one of the phone numbers or Internet addresses below.

Technical Support	800-326-7114 949-261-1288
Fax	949-261-8868
Email	support@linksys.com
Website	http://www.linksys.com
FTP Site	ftp://ftp.linksys.com